



Wow! I Made It.com

## **W**ooden Doormat

*This oversized striped doormat is not only attractive, but also extremely practical. Debris can easily be scraped off the soles of shoes, and the weather-resistant wood can be hosed off with water. The doormat also provides sure footing during rain because water runs into the spaces between the wooden strips.*



### **Materials and Supplies**

- 50 linear feet of 1 x 2 pine
- 10 linear feet of 1 x 4 pine

### **Hardware**

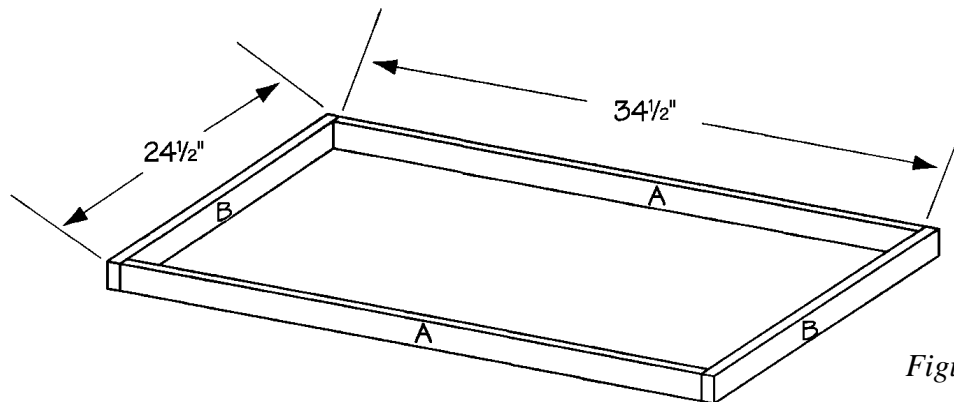
- 300 3d x 1-1/4" nails

## **Cutting List**

Code	Description	Qty	Materials	Dimensions
A	Long Side	2	1 x 2 pine	34-1/2" long
B	Short Side	2	1 x 2 pine	24-1/2" long
C	Narrow Support	6	1 x 2 pine	23" long
D	Wide Support	2	1 x 4 pine	23" long
E	Narrow Slat	9	1 x 2 pine	34-1/2" long
F	Wide Slat	2	1 x 4 pine	34-1/2" long

## **Making the Frame**

1. Cut two long sides (A) from 1 x 2 pine, each measuring 34-1/2 inches long.
2. Cut two short sides (B) from 1 x 2 pine, each measuring 24-1/2 inches long.
3. Place the two short sides (B) on a level surface, parallel to each other and 34-1/2 inches apart. Fit the two long sides (A) between the two short sides (B), as shown in *Figure 1*. Nail through the short sides (B) into the ends of the long sides (A), using two 1-1/2-inch-long nails on each joint.



*Figure 1*

## **Adding the Support Boards**

1. Cut six narrow supports (C) from 1 x 2 pine, each measuring 23 inches long.
2. Cut two wide supports (D) from 1 x 4 pine, each measuring 23 inches long.
3. Place the frame assembly on a level surface. Refer to *Figure 2* to fit the narrow and wide supports (C and D) inside the frame assembly, placing the two wide supports (D) in the center

of the frame, and three narrow supports (C) on each side of the wide supports (D). All the supports should be flush with the bottom of the frame assembly,  $\frac{3}{4}$  inch from the top of the frame assembly, and approximately 2-1/2 inches apart. The exact spacing is not critical. Nail through the long sides (A) into the ends of the narrow and wide supports (C and D).

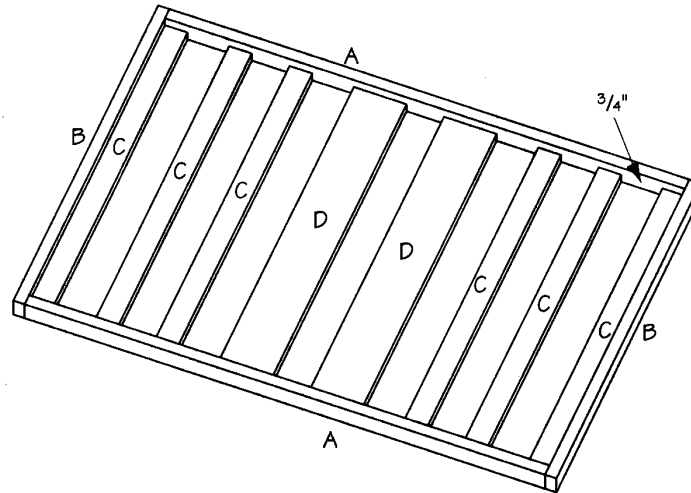


Figure 2

## Adding the Top Slats

1. Cut nine narrow slats (E) from 1 x 2 pine, each measuring 34-1/2 inches long.
2. Cut two wide slats (F) from 1 x 4 pine, each measuring 34-1/2 inches long.
3. Place the frame assembly on a level surface. Refer to *Figure 3* to position the narrow and wide slats (E and F) inside the frame assembly. First place one narrow slat (E) in the center, then two wide slats (F) on either wide, then four more narrow slats (E) on each side. All the supports should be flush with the top of the frame assembly and 1/2-inch apart. The outer two narrow slats (E) should be flush with the long sides (A). Apply glue to the meeting surfaces, and nail through the long sides (A) into the ends of the narrow and wide slats (E and F). Then, nail through each of the narrow and wide supports (C and D).

## Finishing

1. Fill any cracks, crevices, or screw holes with wood filler, and thoroughly sand all surfaces of the completed doormat.
2. Seal or stain your doormat the color of your choice.

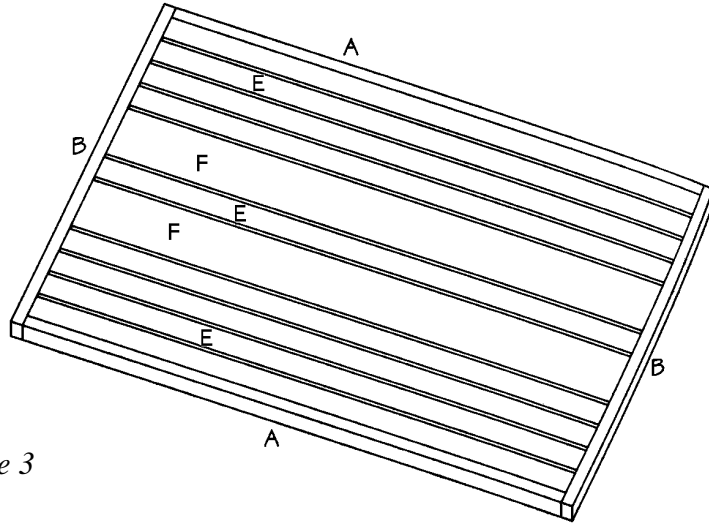


Figure 3

---

**Try other indoor and outdoor projects from [www.wowimadeit.com](http://www.wowimadeit.com) !**

